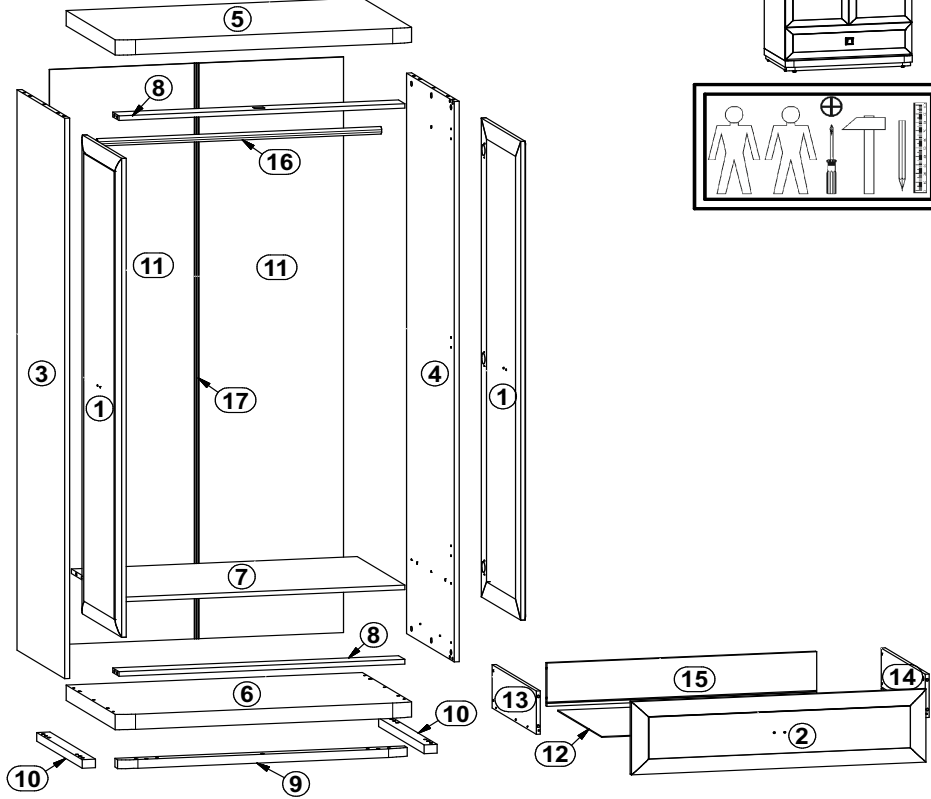
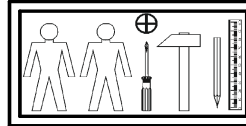
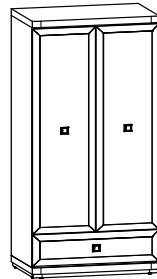


# OREGON

## S157-SZF2D1S

A	B	C	D	A	B	C	D		
1	S157-0001	1548	445	3/4	9	S157-5501	882	40	1/4
2	S157-0002	894	236	4/4	10	S157-503	515	40	1/4
3	S157-1103	1812	540	2/4	11	S157-9903	1861	446	2/4
4	S157-1104	1812	540	2/4	12	S157-9904	830	498	1/4
5	S157-2203	902	565	1/4	13	ZS2-529	500	140	1/4
6	S157-2204	902	565	1/4	14	ZS2-530	500	140	1/4
7	S157-3301	868	540	1/4	15	ZS2-5585	819	140	1/4
8	S157-4401	868	70	1/4	16	dr-862	862	22	1/4
					17	Lh-1807	1807	14	2/4



6x a44	6x b19	3x c333	7x e1	6x e19	12x e2	6x e3	26x f1	4x f25
6x j59	4x k3912	4x k3913	70x l1	2x n1	2x p1	2x p25	12x p51	18x r1
4x r15	22x r42	1x t17	1x w26\CL	1x w26\CR	1x w26\DL	1x w26\DR	6x s2	1x z1
1x n26\1	1x p38							

